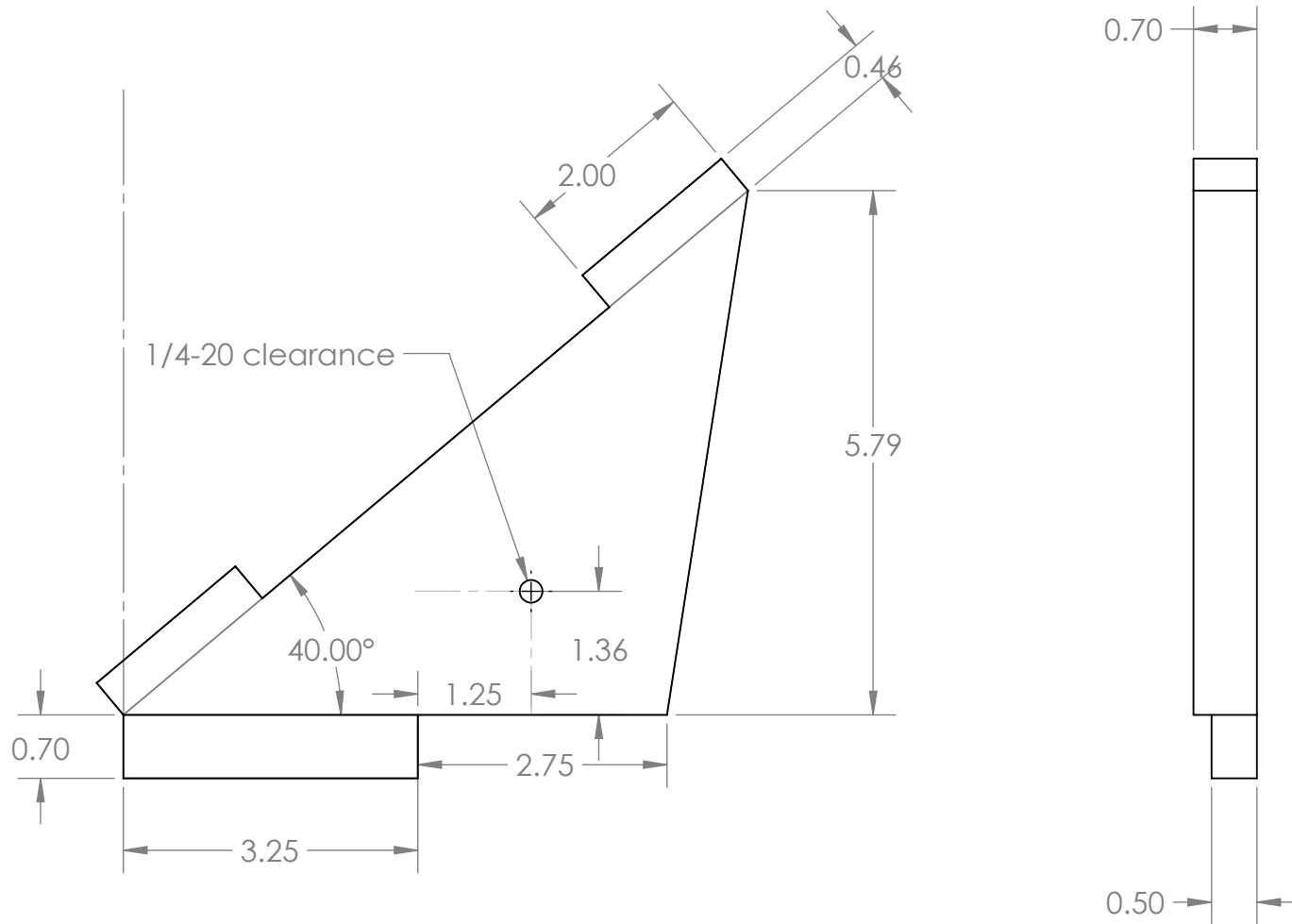


CRADLE ANGLE LEFT



ALL DIMENSIONS IN INCHES

